

www.msubbu.in

Drawing – 7 Heating Arrangements to a Vessel

Draw to scale a process vessel with external half-pipe heating arrangement.

ID of vessel = 1000 mm

Height (tangent-to-tangent) = 1500 mm

Torispherical head at the top and bottom

Inlet nozzle size = 100 mm

Outlet nozzle size = 100 mm

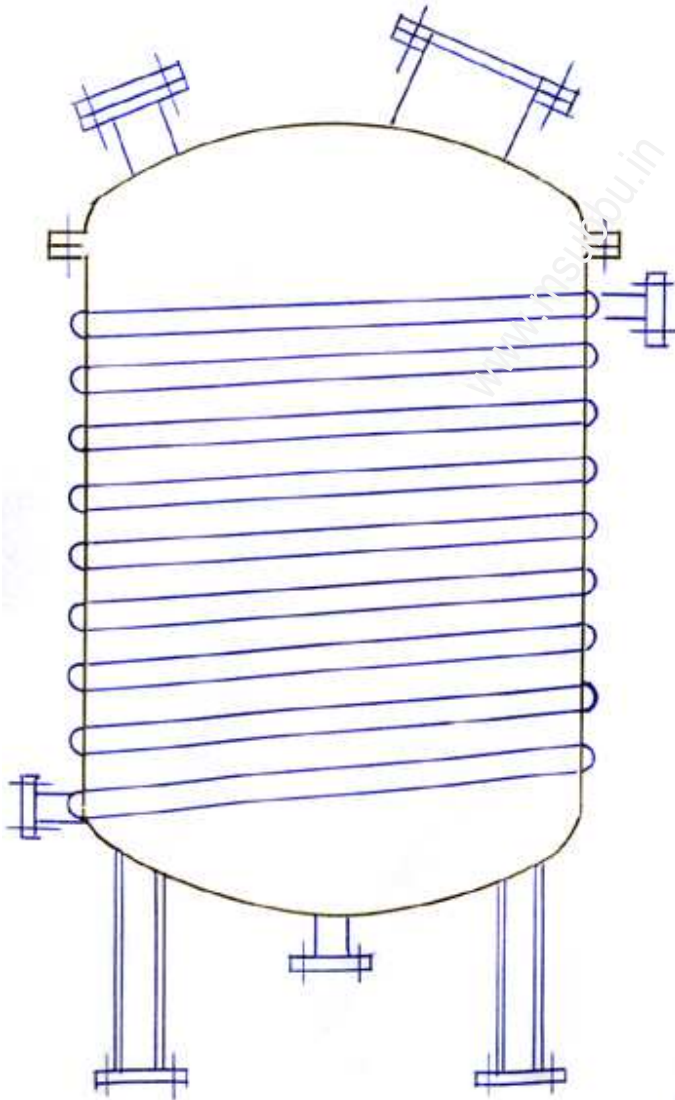
Hand-hole size = 250 mm

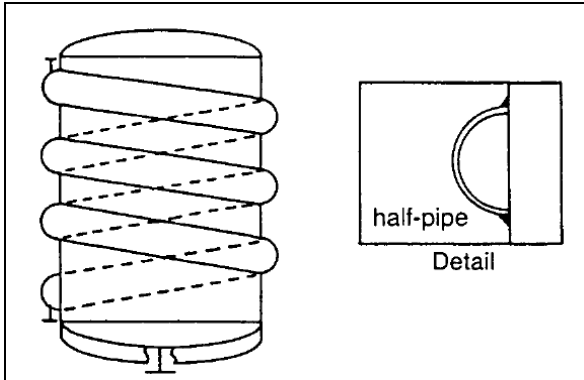
Diameter of half-pipe = 50 mm

Pitch of half-pipe coil = 100 mm

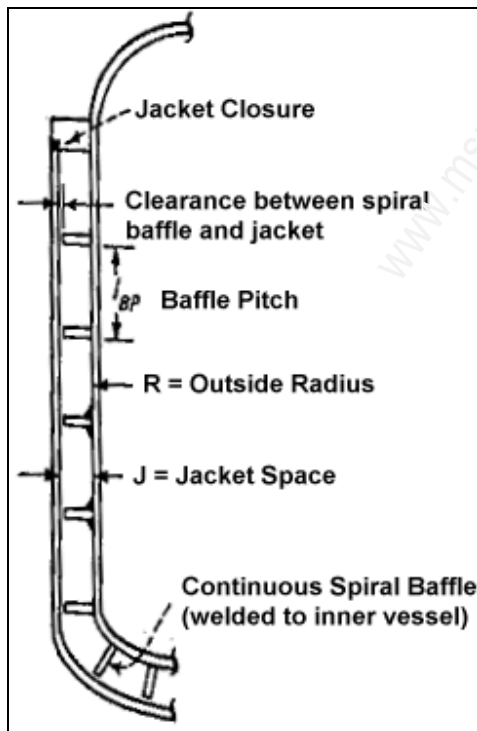
Height of jacketed portion = 1200 mm

Top head is connected to the shell through flanged connection, and bottom head is welded to the shell. The vessel is supported by four equally spaced legs, attached at the bottom head.





External half-pipe coils



External jacket, with spiral baffling



Courtesy WM. A. Schmidt
www.wsainc.com