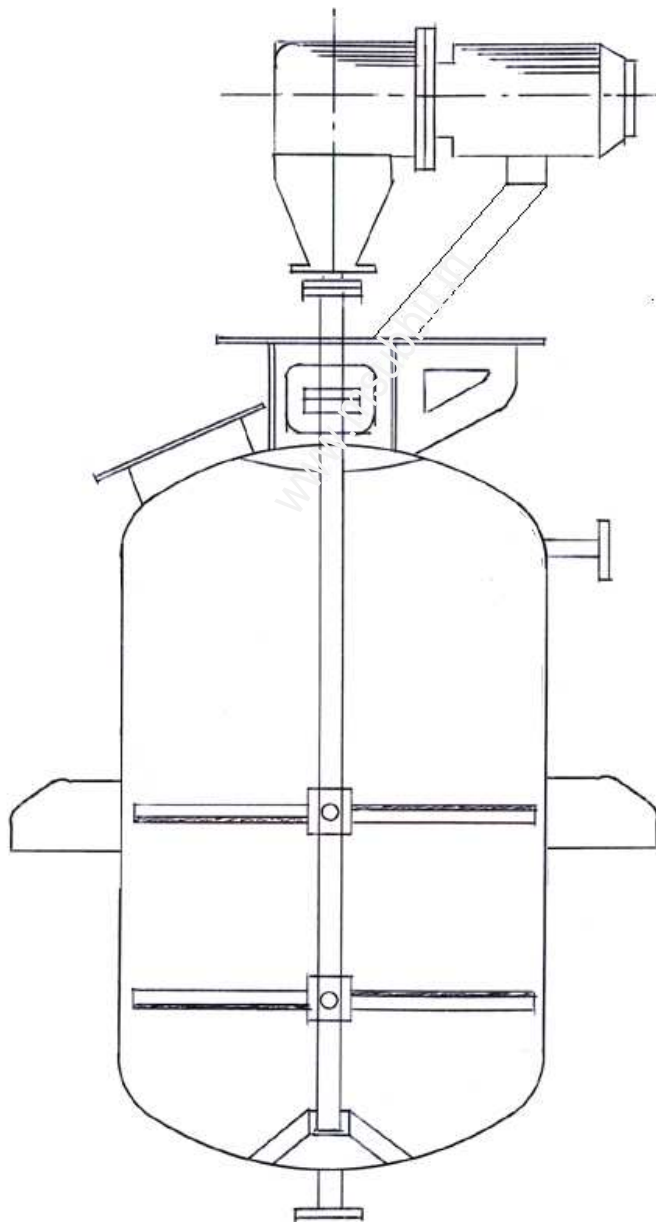
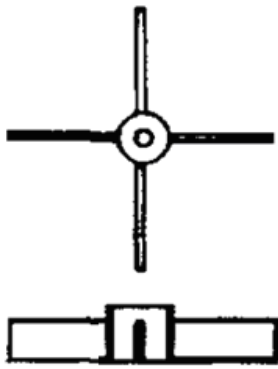


www.msubbu.in

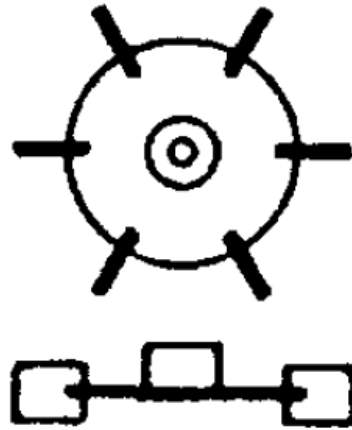
Drawing – 6 Agitated Vessel

Draw the sectional elevation of an agitated vessel. The inside diameter of the vessel is 2 m. The vessel is having hemispherical closure at the bottom and torispherical closure at the top. There are two 150 mm diameter nozzles for inlet and outlet connections, and two 300 mm openings at the top; one serves as a hand-hole, and with another one a sight-glass is attached. The vessel contents are agitated by two numbers of 4-bladed axial flow impellers. The impellers are attached to the drive assembly through a 40 mm diameter shaft. The vessel is supported on the ground by means a lug support. OD of impeller is 800 mm. 4 number of baffles of 80 mm width are there inside the vessel, to avoid vortex formation.

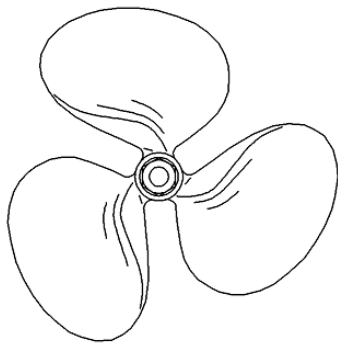




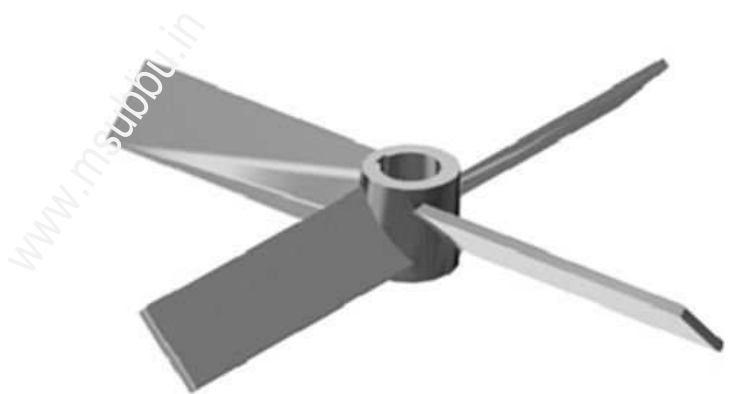
Flat blade turbine



Flat Blade turbine with disc at the center



Marine type Propeller



Axial flow impeller