

**Drawing – 5 Vertical Mild Steel Fixed Roof Storage Tank**

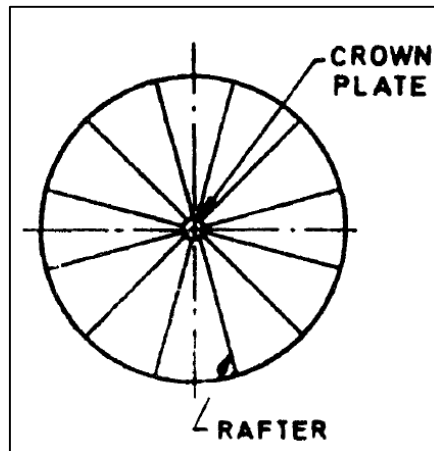
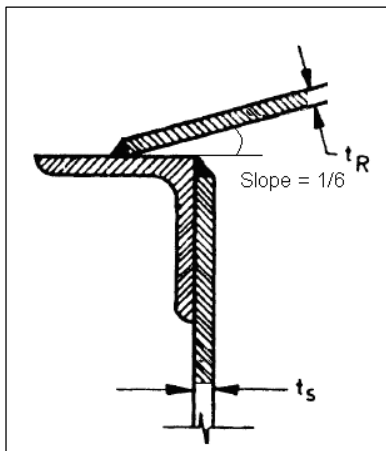
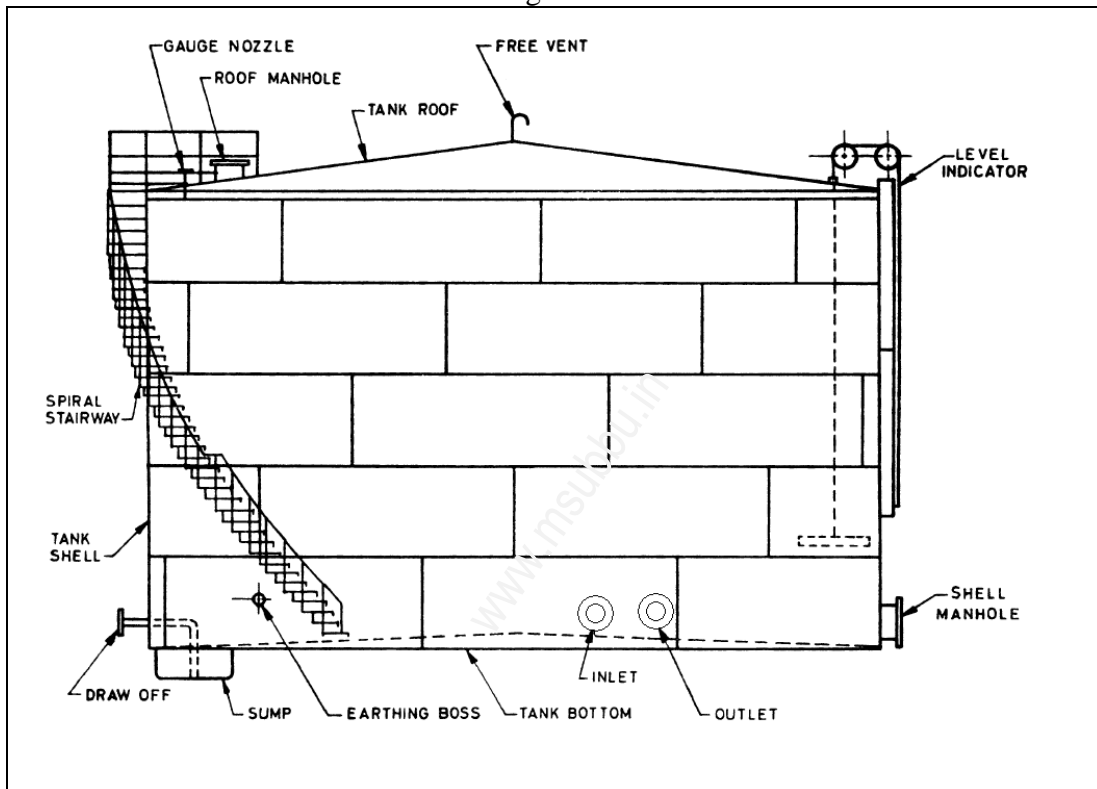
Draw to scale the outline of self-support conical roof storage tank, and sectional views of the following details:

- (i) bottom plate arrangement with the shell, (ii) roof plate arrangement with the shell,
- (iii) roof manhole details

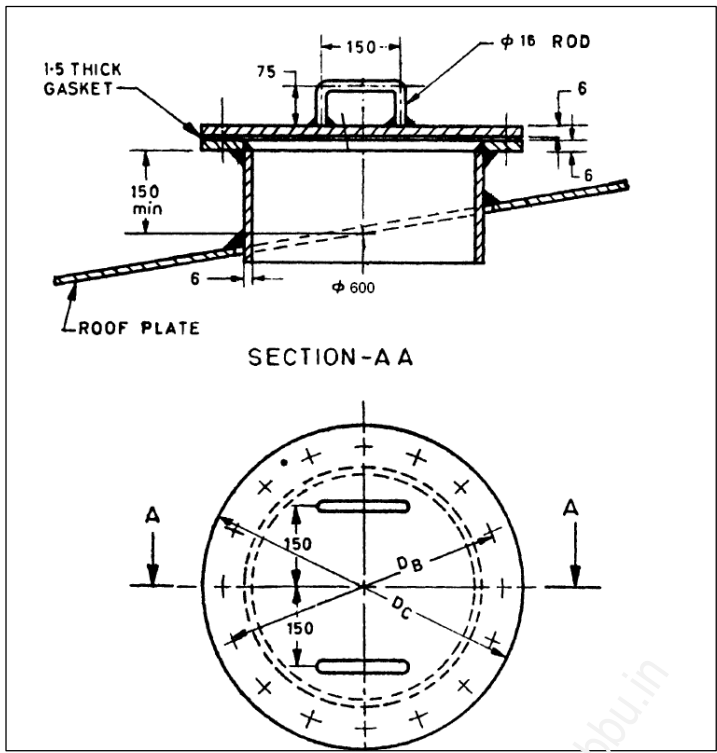
Tank capacity:  $500 \text{ m}^3$ , Diameter: 7.5 m; Height: 13.5 m.

Steel plates of 1.5 m width, 5 m long, 6 and 12 mm thick are available.

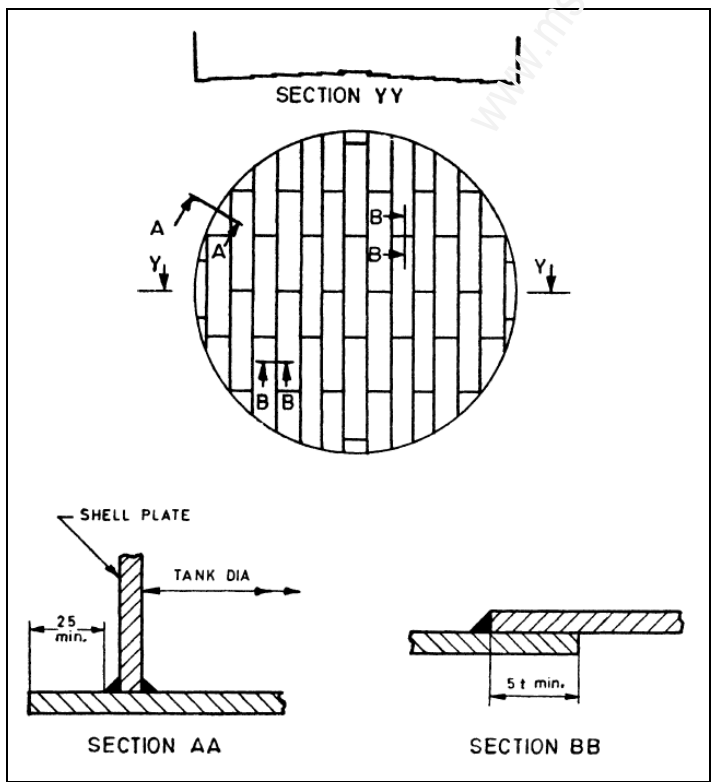
Shell and bottom plates: 12 mm thick; Roof plate: 6 mm thick, roof plates are stiffened inside with rafters of 16 numbers. Rafters are angles of  $65 \times 65 \times 6 \text{ mm}$ .



Roof plate attachment with shell. Size of curb angle:  $65 \times 65 \times 6 \text{ mm}$



**Roof manhole details:**  
 OD of manhole – 600 mm  
 Cover plate diameter – 750 mm  
 Bold circle diameter: 690 mm  
 No of bolts – 20  
 Bolt hole diameter – 18 mm



Bottom plate attachment with the shell