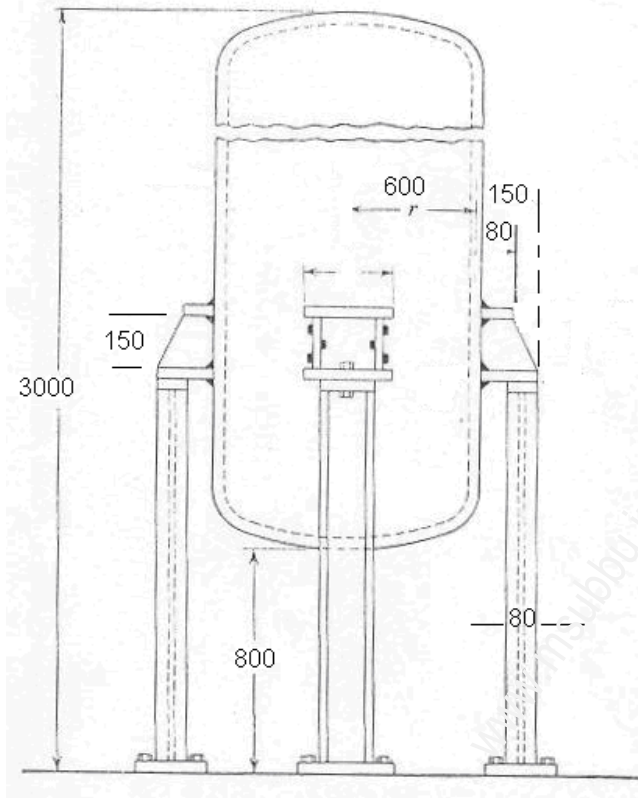
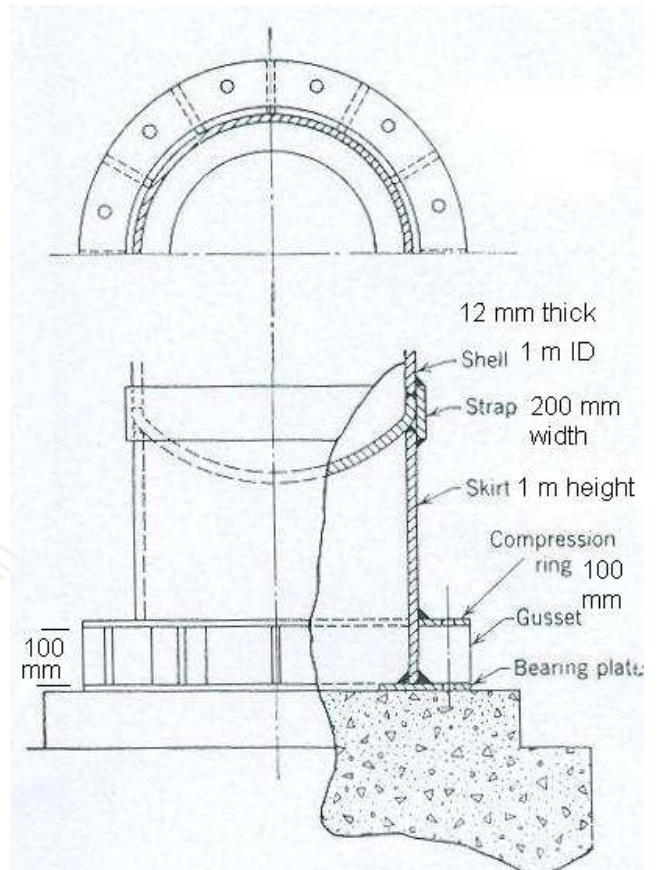


Drawing – 4 Different Types of Supports to Vessels

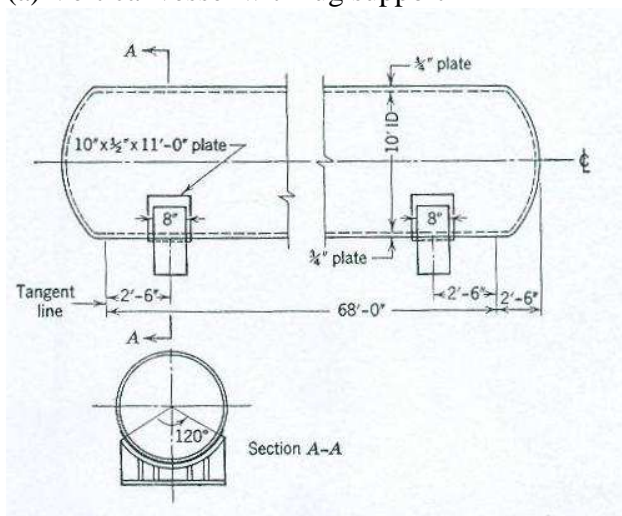
Draw to scale the sectional elevation and plan of different types of supports suitable for various, as given below:



(a) Vertical vessel with lug support



(b) Vertical vessel with skirt support



(c) Horizontal vessel with saddle support