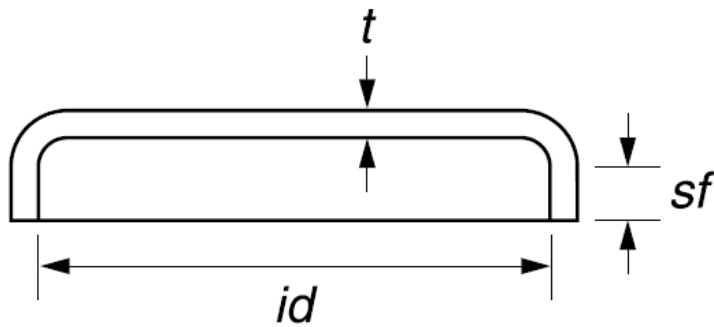


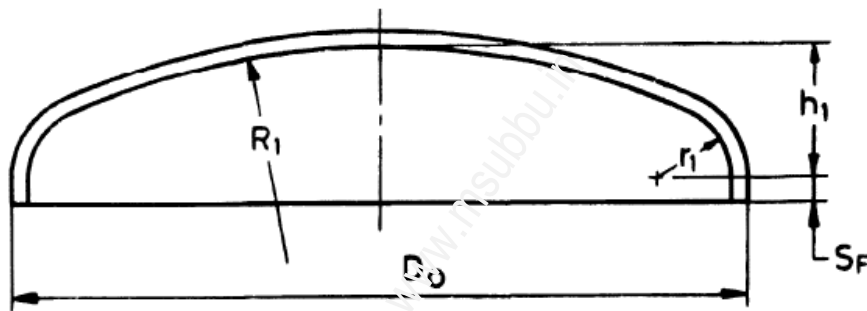
Drawing – 2 Different Types of Heads

Draw to scale the sectional elevation of different types of heads suitable for vessel of OD 2000 mm, with head thickness of 10 mm, as given below:

(a) Flanged only head

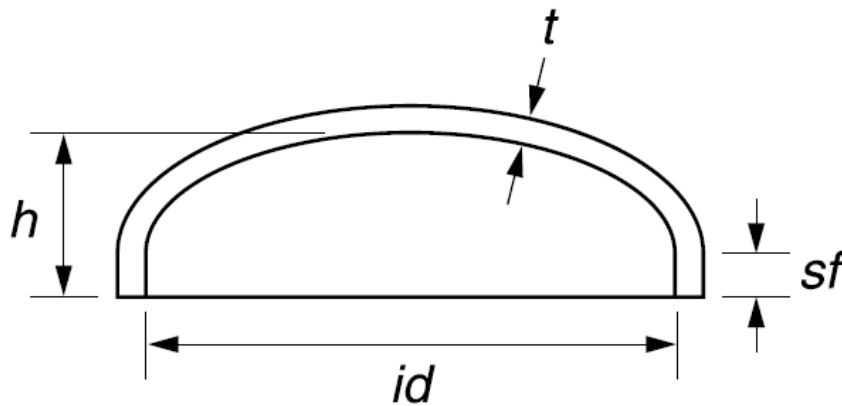


(b) Torispherical Head



Outer diameter (D_0) = 2000 mm; Thickness of head (t) = 10 mm
Crown radius (R_1) = 2000 mm; Knuckle radius (r_1) = 200 mm
Straight flange (S_F) = 50 mm

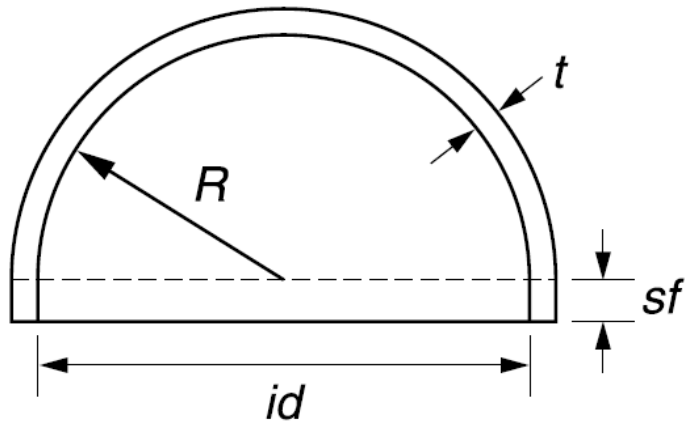
(c) Semi-ellipsoidal Head



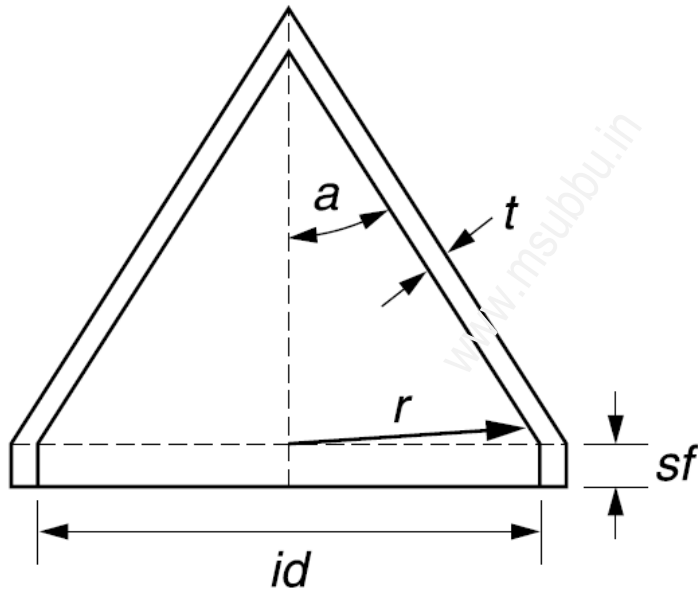
Major axis : Minor axis = 2:1

$Do = 2000 \text{ mm}$; $SF = 50 \text{ mm}$; $t = 10 \text{ mm}$

(d) Hemi-spherical Head



(e) Conical Head



(f) Reverse Dished Head

